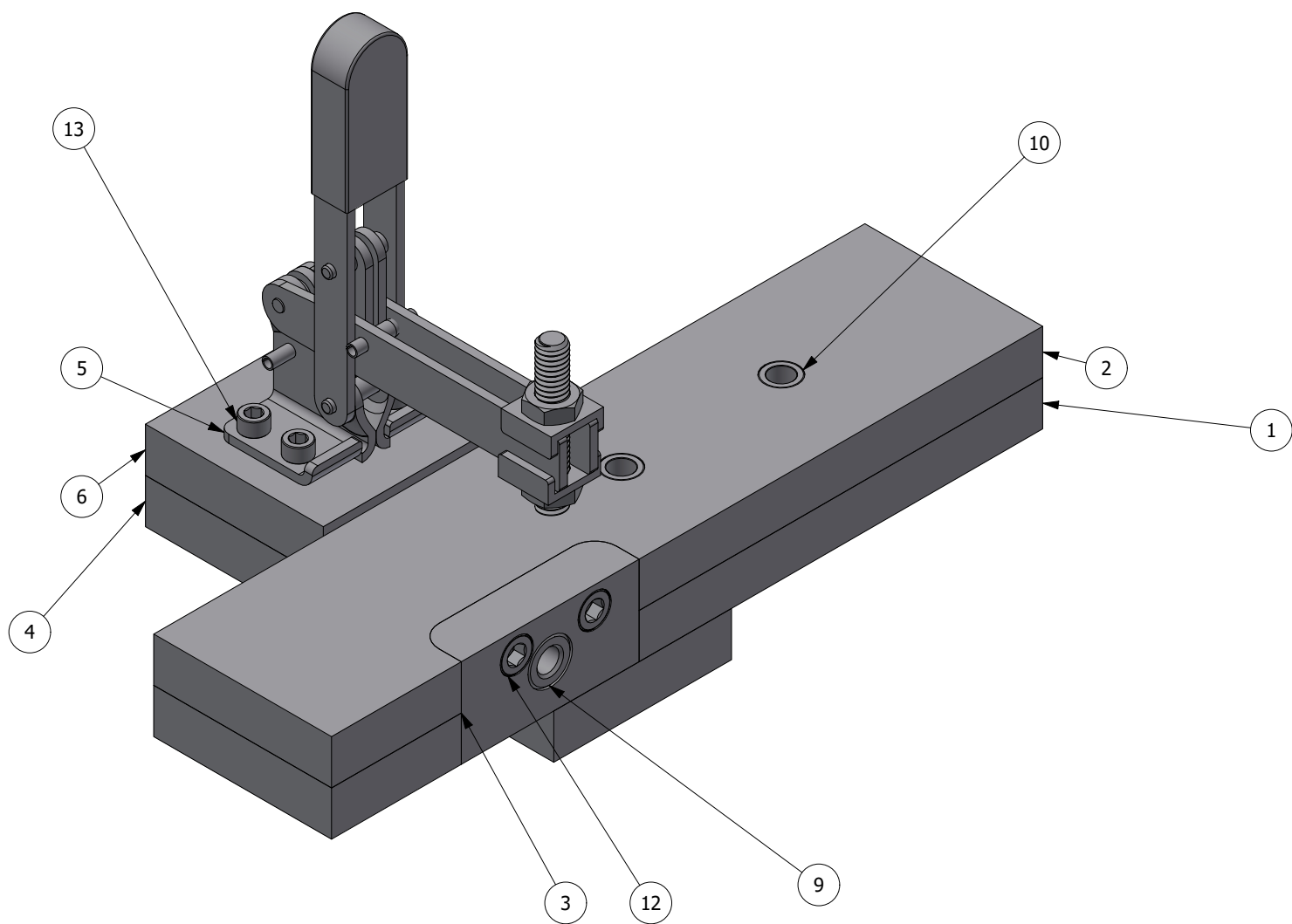


NOTES:

1. INTERPRET THIS DRAWING IN ACCORDANCE WITH ASME Y14.100.
2. REMOVE ALL BURRS AND SHARP EDGES.

REVISIONS				
REV	ZONE	DESCRIPTION	DATE	APPROVED
A				GSC



ITEM	PART NUMBER	QTY	NOMENCLATURE OR DESCRIPTION	SPECIFICATION
13	91274A072	4	Zinc-Aluminum-Coated Alloy Steel Socket Head Screw	
12	90128A363	2	Zinc-Plated Alloy Steel Socket Head Screw	
11	91274A179	3	Zinc-Aluminum-Coated Alloy Steel Socket Head Screw	
10	8491A099	2	Press-Fit Drill Bushing	
9	8492A066	1	Press-Fit Drill Bushing with Head	
8	IMACA fitting	1	*not a part, only in CAD*	
7	10-52307 placeholder pipe	1	Copper tube, .375 OD, post end-forming	
6	52307-2-01	1	clamp riser	
5	5126A71	1	Hold-Down Toggle Clamp	
4	52307-2-02	1	base	
3	52307-2-04	1	perpendicular drill piece	
2	52307-2-05	1	Top mold	
1	52307-2-03	1	Bottom mold	

PARTS LIST

<p>QUALITY SYMBOLS</p> <p>DENOTES CRITICAL INSPECTION</p>	<p>UNLESS OTHERWISE SPECIFIED: DIMENSIONS ARE IN INCHES</p> <p>TOLERANCES:</p> <p>ANGLES X ± 1°</p> <p>1 PLACE DIM. X ± .1</p> <p>2 PLACE DIM. X ± .01</p> <p>3 PLACE DIM. X ± .005</p>	<p>CONTRACT NO.</p>			
		<p>DATE</p> <p>B. VILLANUEVA 10/23/2023</p>			<p>MECHANICAL</p> <p>B. VILLANUEVA 10/23/2023</p>
		<p>CHECKED</p>			
		<p>OPERATIONS</p> <p>B. BLACH</p>			<p>APPROVED</p> <p>G. COLE</p>
<p>NEXT ASSY</p>	<p>USED ON</p>	<p>THIRD ANGLE PROJECTION</p>		<p>SIZE</p> <p>B</p>	
<p>APPLICATION</p>		<p>DRAWING NO.</p> <p>B 0A007-52307 drill fixture assembly</p>		<p>SCALE: NONE</p>	
				<p>UNIT WT.</p>	
				<p>REV</p>	
				<p>SHEET 1 OF 6</p>	

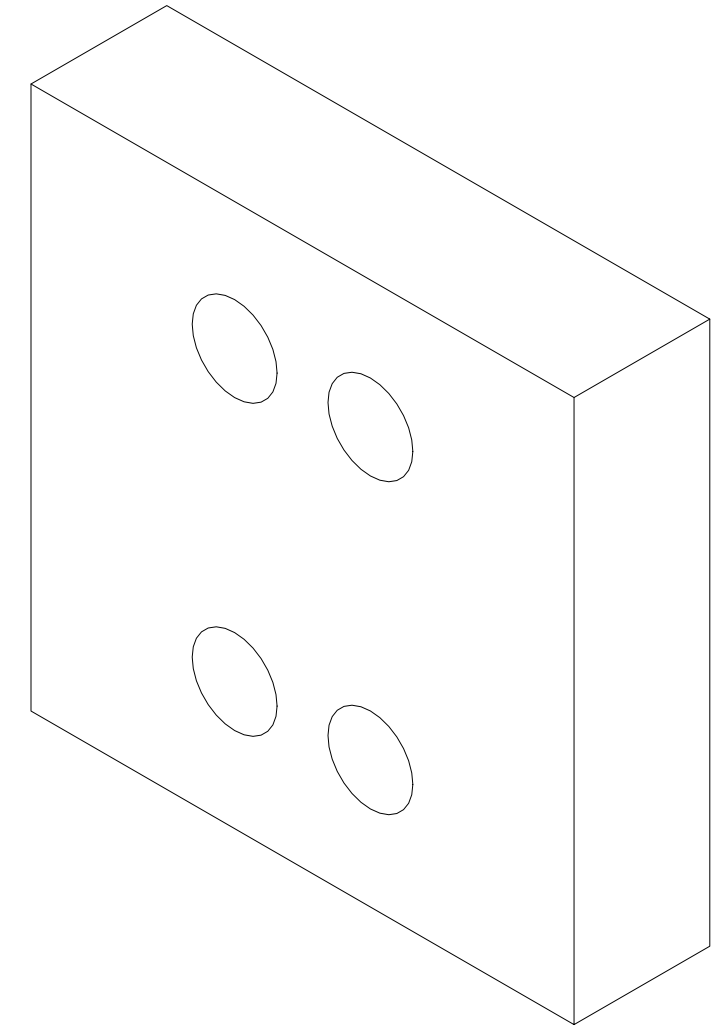
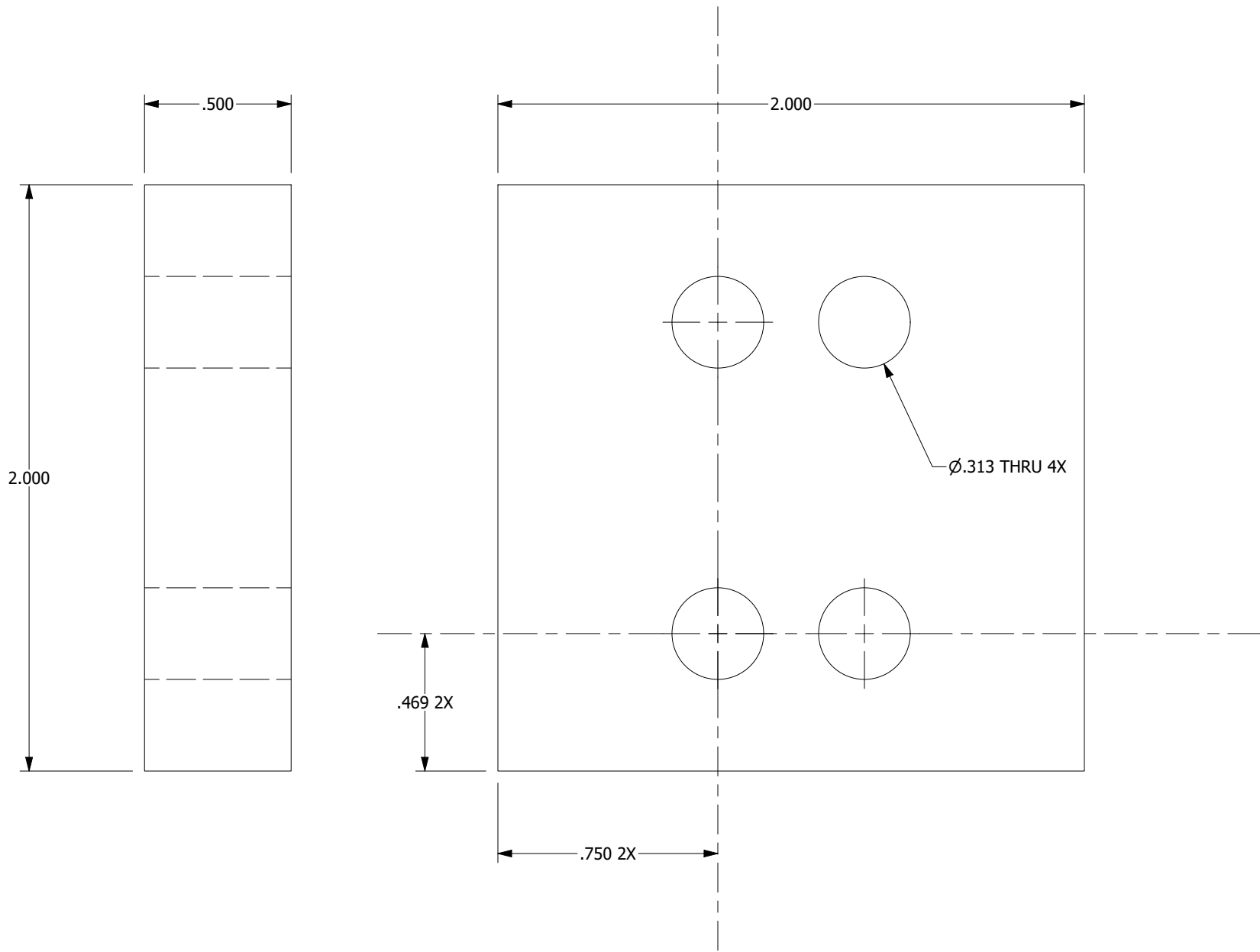
PROPRIETARY NOTE: THIS DOCUMENT CONTAINS INFORMATION WHICH IS CONFIDENTIAL AND PROPRIETARY TO MAINSTREAM ENGINEERING CORPORATION AND SHALL NOT BE USED, DUPLICATED OR DISCLOSED TO ANYONE, IN WHOLE OR IN PART, OR USED FOR ANY PURPOSE OTHER THAN WHICH IT WAS OBTAINED WITHOUT FIRST OBTAINING THE EXPRESSED WRITTEN CONSENT FROM MAINSTREAM ENGINEERING CORPORATION.

DRAWING NO. 10-52307 drill fixture assembly

A

B

MATERIAL: ALUMINUM ALLOY, 6061, FLAT BAR, 2" X .5"



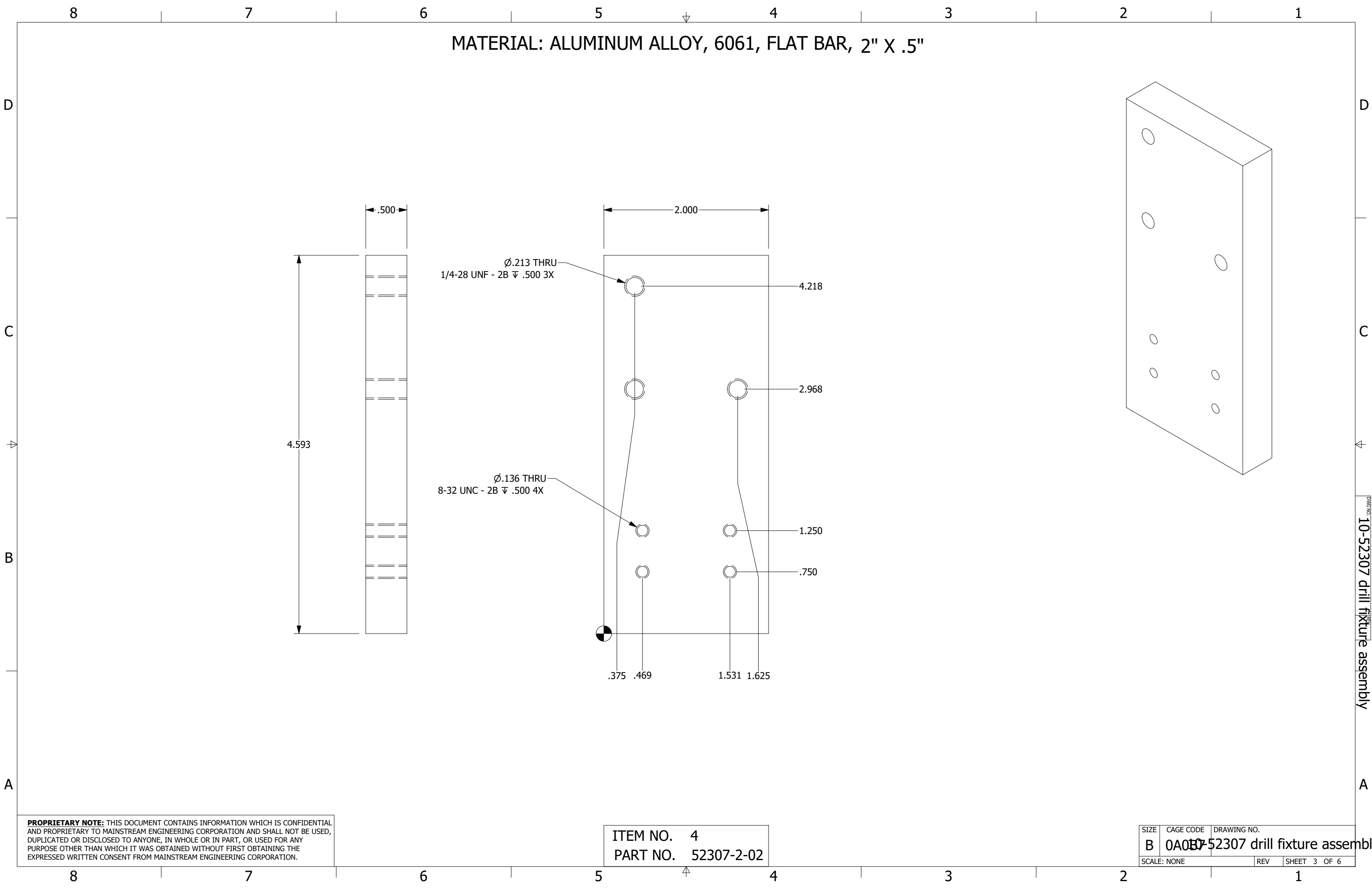
PROPRIETARY NOTE: THIS DOCUMENT CONTAINS INFORMATION WHICH IS CONFIDENTIAL AND PROPRIETARY TO MAINSTREAM ENGINEERING CORPORATION AND SHALL NOT BE USED, DUPLICATED OR DISCLOSED TO ANYONE, IN WHOLE OR IN PART, OR USED FOR ANY PURPOSE OTHER THAN WHICH IT WAS OBTAINED WITHOUT FIRST OBTAINING THE EXPRESSED WRITTEN CONSENT FROM MAINSTREAM ENGINEERING CORPORATION.

ITEM NO. 6
PART NO. 52307-2-01

SIZE	CAGE CODE	DRAWING NO.
B	0A007	52307 drill fixture assembly
SCALE: NONE		REV SHEET 2 OF 6

DRAWING NO. 10-52307 drill fixture assembly

MATERIAL: ALUMINUM ALLOY, 6061, FLAT BAR, 2" X .5"



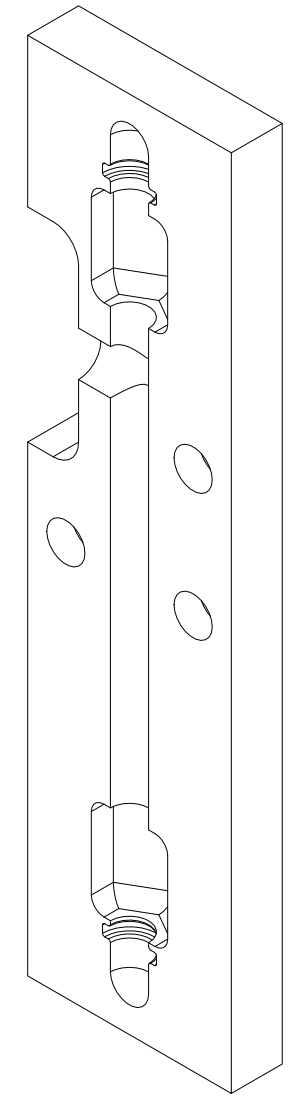
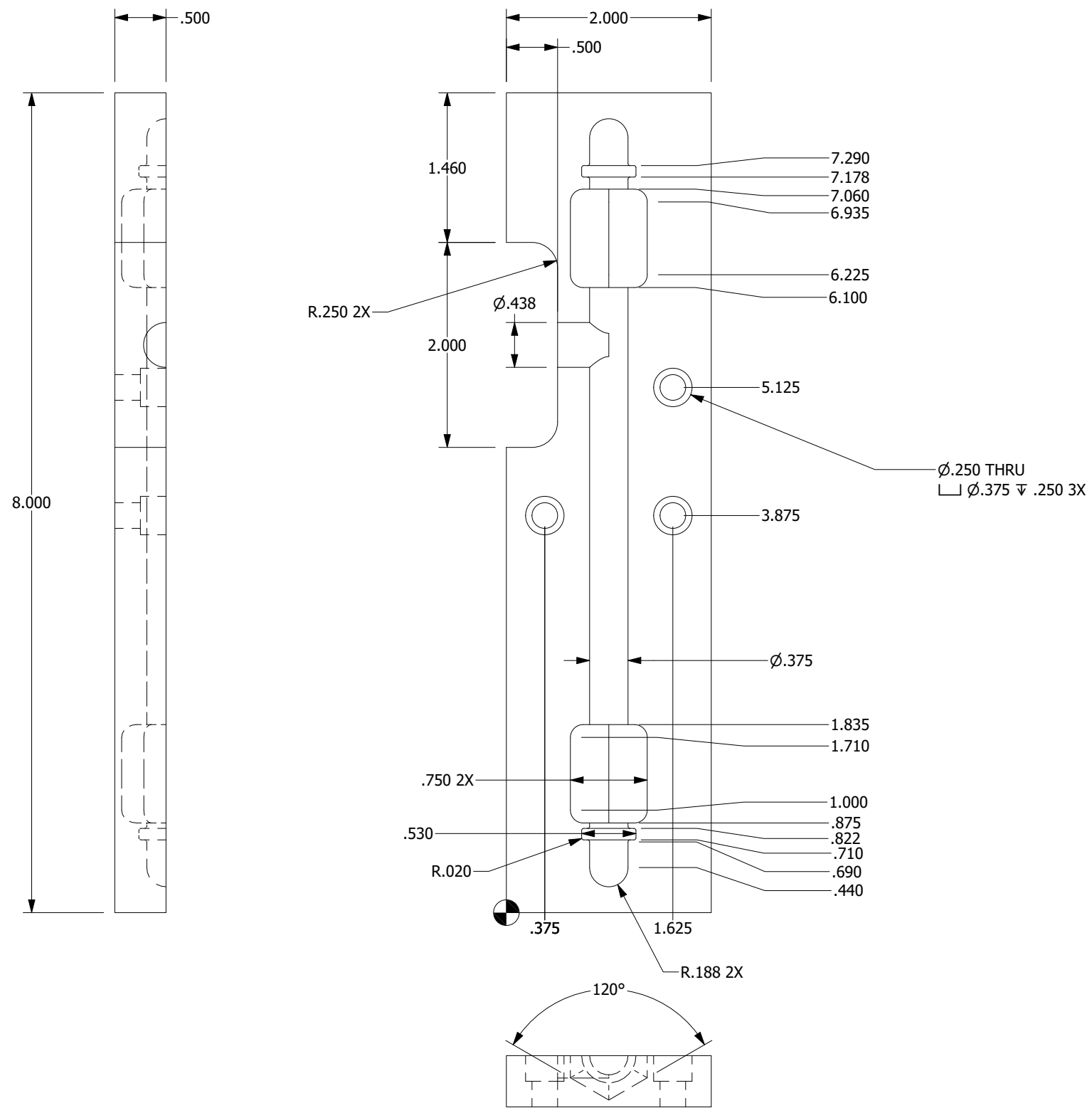
DRAWING NO. 10-52307 drill fixture assembly

PROPRIETARY NOTE: THIS DOCUMENT CONTAINS INFORMATION WHICH IS CONFIDENTIAL AND PROPRIETARY TO MAINSTREAM ENGINEERING CORPORATION AND SHALL NOT BE USED, DUPLICATED OR DISCLOSED TO ANYONE, IN WHOLE OR IN PART, OR USED FOR ANY PURPOSE OTHER THAN WHICH IT WAS OBTAINED WITHOUT FIRST OBTAINING THE EXPRESSED WRITTEN CONSENT FROM MAINSTREAM ENGINEERING CORPORATION.

ITEM NO. 4
PART NO. 52307-2-02

SIZE	CAGE CODE	DRAWING NO.
B	0A007	10-52307 drill fixture assembly
SCALE: NONE		REV SHEET 3 OF 6

MATERIAL: ALUMINUM ALLOY, 6061, FLAT BAR, 2" X .5"



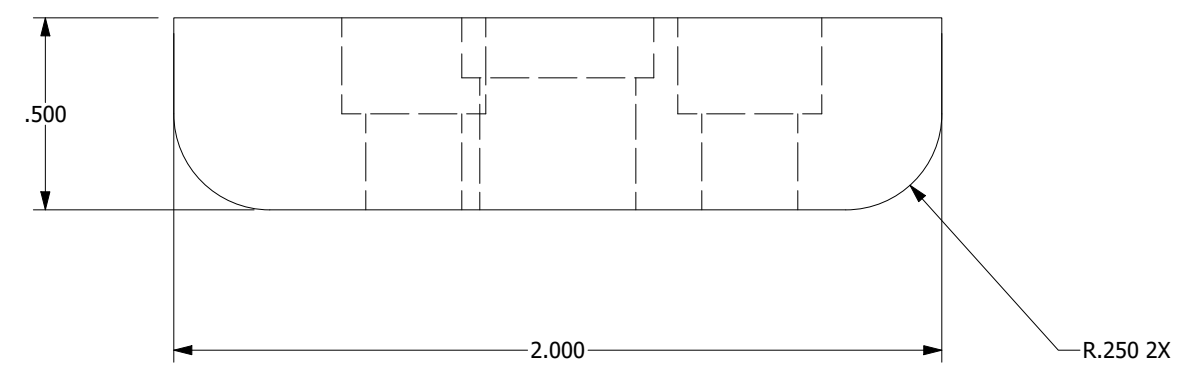
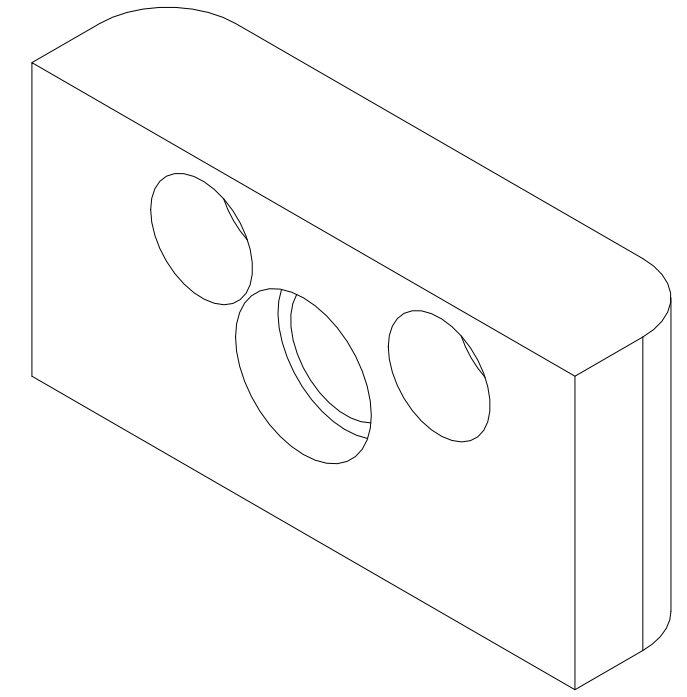
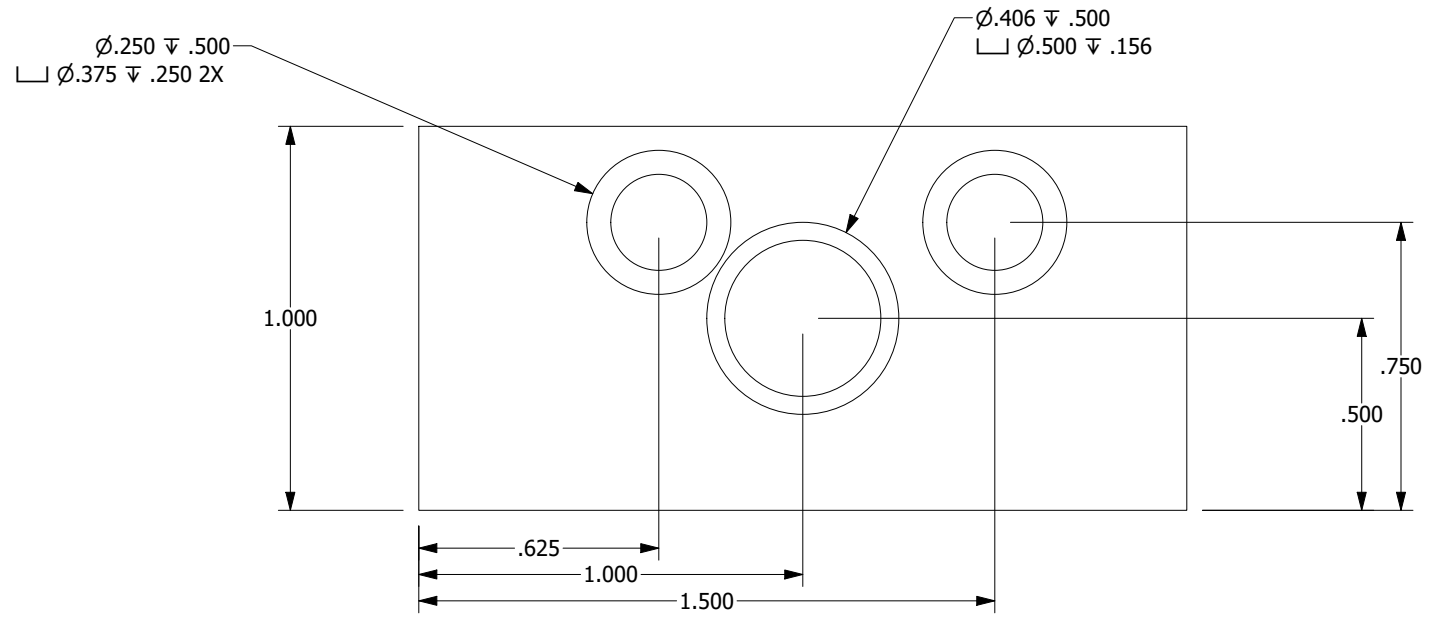
PROPRIETARY NOTE: THIS DOCUMENT CONTAINS INFORMATION WHICH IS CONFIDENTIAL AND PROPRIETARY TO MAINSTREAM ENGINEERING CORPORATION AND SHALL NOT BE USED, DUPLICATED OR DISCLOSED TO ANYONE, IN WHOLE OR IN PART, OR USED FOR ANY PURPOSE OTHER THAN WHICH IT WAS OBTAINED WITHOUT FIRST OBTAINING THE EXPRESSED WRITTEN CONSENT FROM MAINSTREAM ENGINEERING CORPORATION.

ITEM NO. 1
PART NO. 52307-2-03

SIZE	CAGE CODE	DRAWING NO.
B	0A017	52307 drill fixture assembly
SCALE: NONE	REV	SHEET 4 OF 6

DRAWING NO. 10-52307 drill fixture assembly

MATERIAL: ALUMINUM ALLOY, 6061, FLAT BAR, 2" X .5"



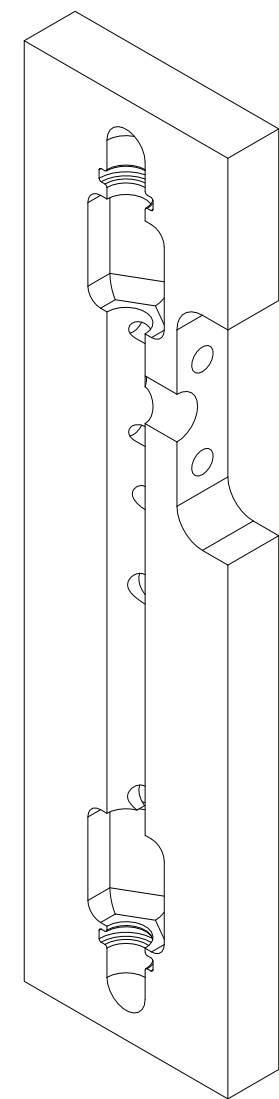
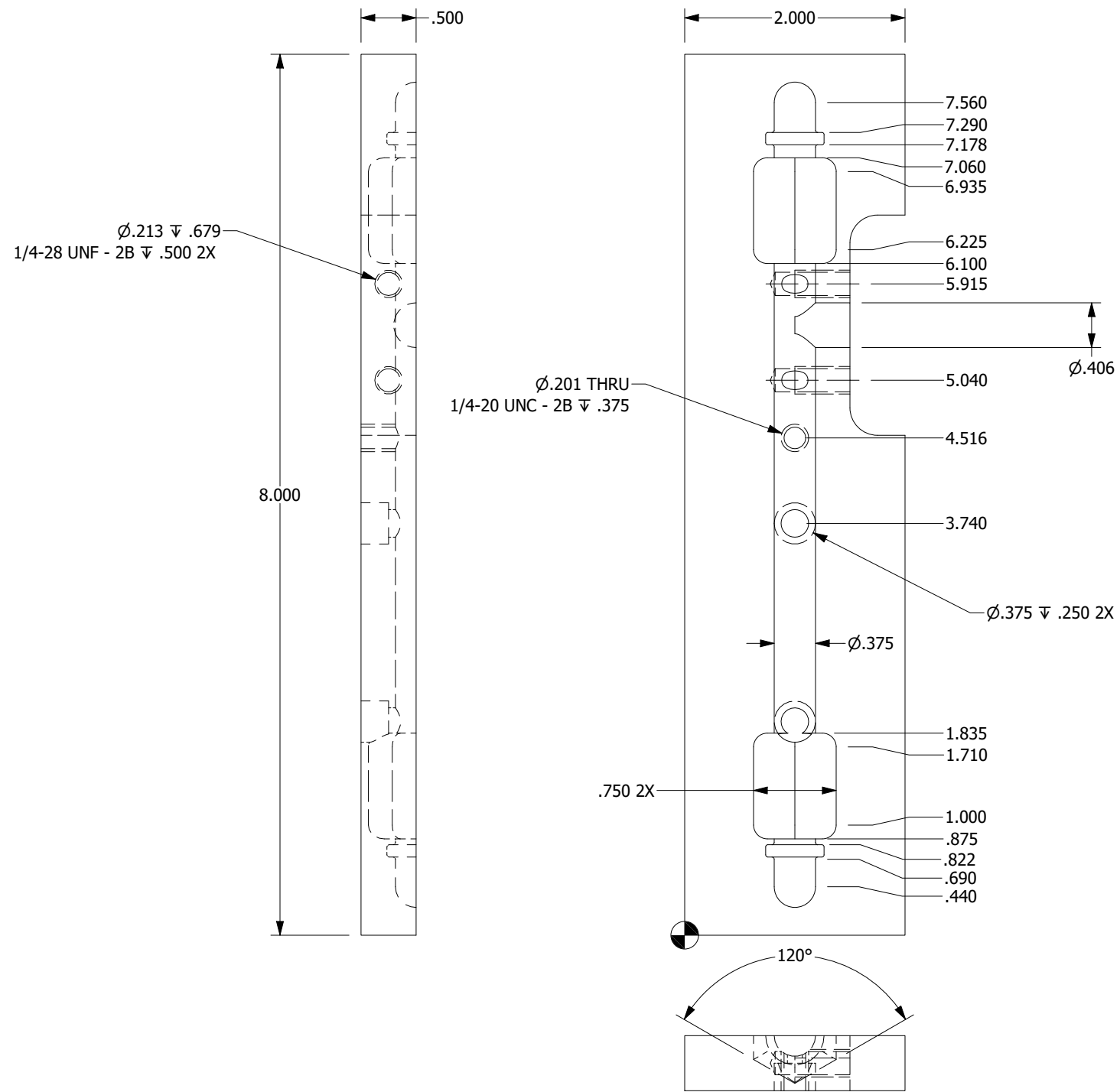
PROPRIETARY NOTE: THIS DOCUMENT CONTAINS INFORMATION WHICH IS CONFIDENTIAL AND PROPRIETARY TO MAINSTREAM ENGINEERING CORPORATION AND SHALL NOT BE USED, DUPLICATED OR DISCLOSED TO ANYONE, IN WHOLE OR IN PART, OR USED FOR ANY PURPOSE OTHER THAN WHICH IT WAS OBTAINED WITHOUT FIRST OBTAINING THE EXPRESSED WRITTEN CONSENT FROM MAINSTREAM ENGINEERING CORPORATION.

ITEM NO. 3
PART NO. 52307-2-04

SIZE	CAGE CODE	DRAWING NO.
B	0A007	10-52307 drill fixture assembly
SCALE: NONE		REV SHEET 5 OF 6

DRAWING NO. 10-52307 drill fixture assembly

MATERIAL: ALUMINUM ALLOY, 6061, FLAT BAR, 2" X .5"



PROPRIETARY NOTE: THIS DOCUMENT CONTAINS INFORMATION WHICH IS CONFIDENTIAL AND PROPRIETARY TO MAINSTREAM ENGINEERING CORPORATION AND SHALL NOT BE USED, DUPLICATED OR DISCLOSED TO ANYONE, IN WHOLE OR IN PART, OR USED FOR ANY PURPOSE OTHER THAN WHICH IT WAS OBTAINED WITHOUT FIRST OBTAINING THE EXPRESSED WRITTEN CONSENT FROM MAINSTREAM ENGINEERING CORPORATION.

ITEM NO. 2
PART NO. 52307-2-05

SIZE	CAGE CODE	DRAWING NO.
B	0A007	52307 drill fixture assembly
SCALE: NONE	REV	SHEET 6 OF 6

DRAWING NO. 10-52307 drill fixture assembly