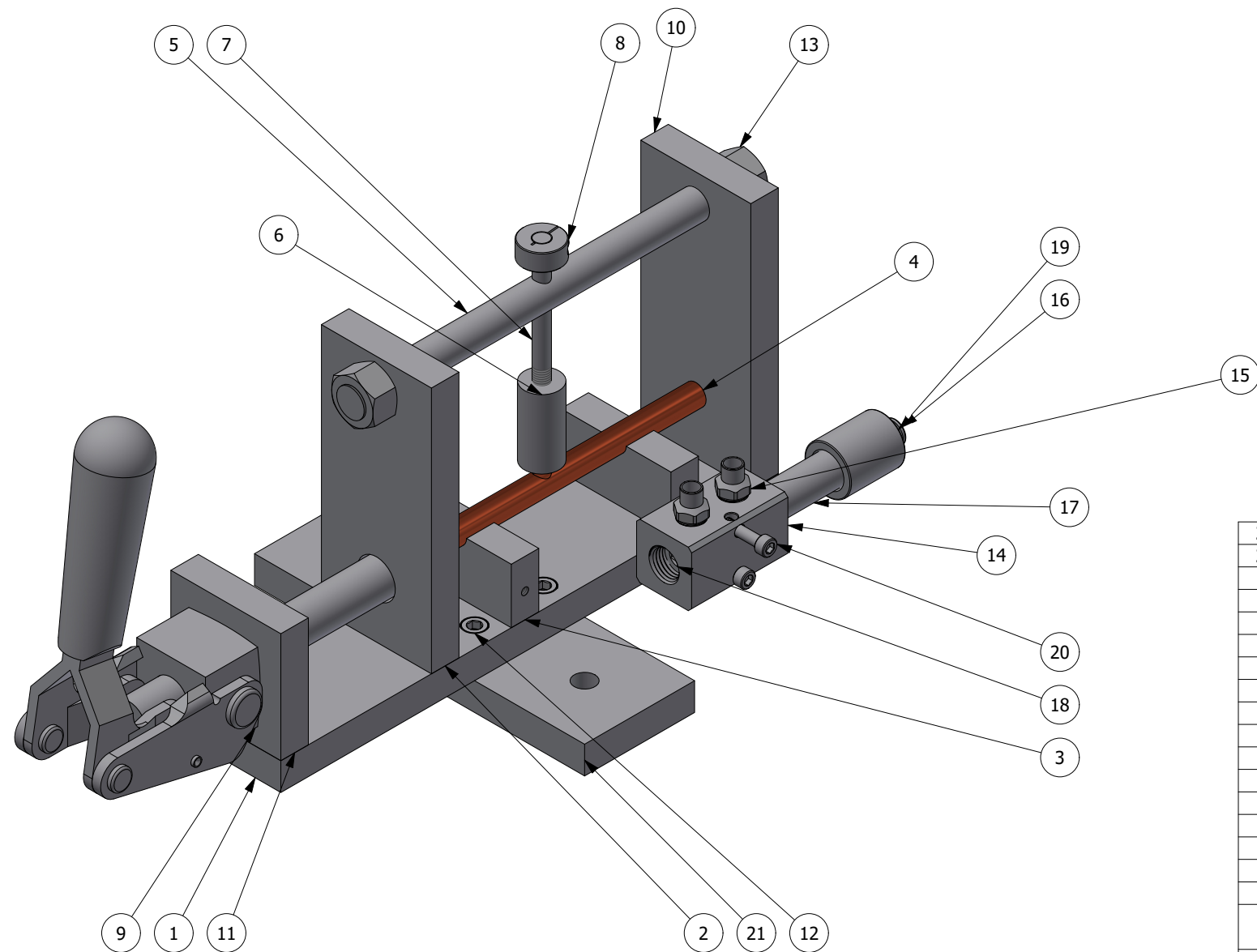


NOTES:

1. INTERPRET THIS DRAWING IN ACCORDANCE WITH ASME Y14.100.
2. REMOVE ALL BURRS AND SHARP EDGES.

REVISIONS				
REV	ZONE	DESCRIPTION	DATE	APPROVED
A				GSC

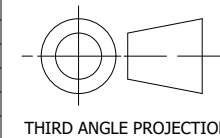


ITEM	PART NUMBER	QTY	NOMENCLATURE OR DESCRIPTION	SPECIFICATION
21	52304-1-01	1	base adapter plate	
20	90128A201	2	Zinc-Plated Alloy Steel Socket Head Screw	
19	4464K352	1	304 Stainless Steel Threaded Pipe Fitting	
18	44605K232	1	Low-Pressure Pipe Fitting	
17	44615K452	1	Standard-Wall Steel Pipe Nipple	
16	51235K108	1	Push-to-Connect Tube Fitting with Universal Thread	
15	5520K172	2	Solder-Connect Fitting for Copper Tubing	
14	5469K101	1	Anodized Aluminum Right-Angle Flow Manifold	
13	98797A523	2	Medium-Strength Steel Hex Nuts - Grade 5	
12	90128A363	14	Zinc-Plated Alloy Steel Socket Head Screw	
11	52304-1-03	1	toggle clamp mount	
10	52304-1-04	1	riser	
9	5093A64	1	Push Pull Toggle Clamp	
8	6435K1	1	Clamping Shaft Collar	
7	52304-1-09	1	valve drop	
6	52304-1-08	1	valve holder	
5	52304-1-05	1	valve drop holder	
4	10-52304 placeholder pipe	1	copper tube, .375 OD, length including fittings, post end-forming	
3	52304-1-06	2	pipe holder	
2	52304-1-07	1	clamp-side riser	
1	52304-1-02	1	base	

PARTS LIST

UNLESS OTHERWISE SPECIFIED: DIMENSIONS ARE IN INCHES		CONTRACT NO.			
TOLERANCES:		DATE			
ANGLES	X ± 1'	DRAWN	DATE		
1 PLACE DIM.	X ± .1	B. VILLANUEVA	10/21/2023		
2 PLACE DIM.	X ± .01	CHECKED	DATE		
3 PLACE DIM.	X ± .005				
		MECHANICAL		DATE	
		B. VILLANUEVA		10/21/2023	
		ELECTRICAL		DATE	
		OPERATIONS		DATE	
		B. BLACH			
		APPROVED		DATE	
		G. COLE			

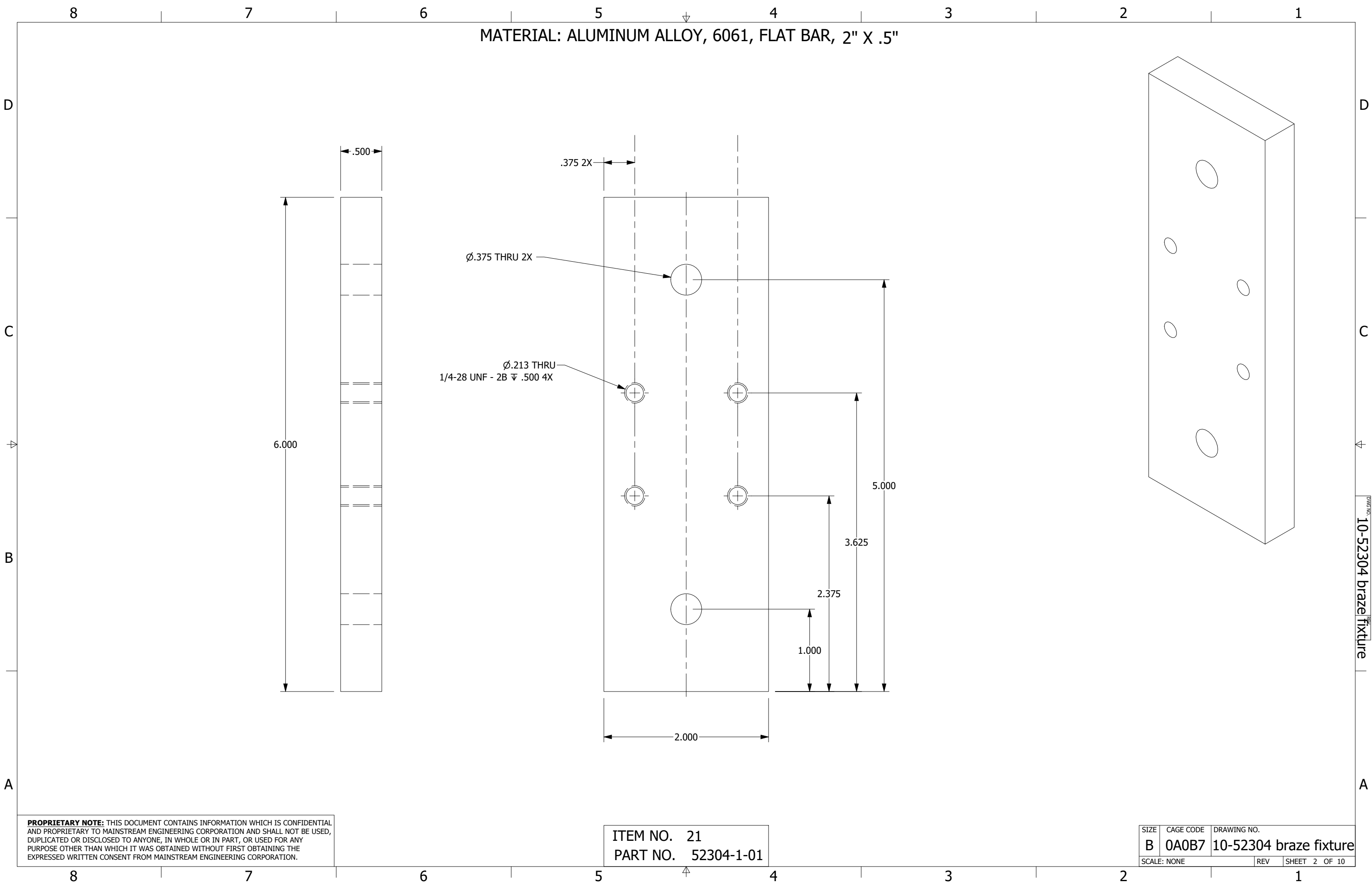
QUALITY SYMBOLS	
	DENOTES CRITICAL INSPECTION
NEXT ASSY	USED ON
APPLICATION	



PROPRIETARY NOTE: THIS DOCUMENT CONTAINS INFORMATION WHICH IS CONFIDENTIAL AND PROPRIETARY TO MAINSTREAM ENGINEERING CORPORATION AND SHALL NOT BE USED, DUPLICATED OR DISCLOSED TO ANYONE, IN WHOLE OR IN PART, OR USED FOR ANY PURPOSE OTHER THAN WHICH IT WAS OBTAINED WITHOUT FIRST OBTAINING THE EXPRESSED WRITTEN CONSENT FROM MAINSTREAM ENGINEERING CORPORATION.

DRAWING NO. 10-52304 braze fixture

MATERIAL: ALUMINUM ALLOY, 6061, FLAT BAR, 2" X .5"



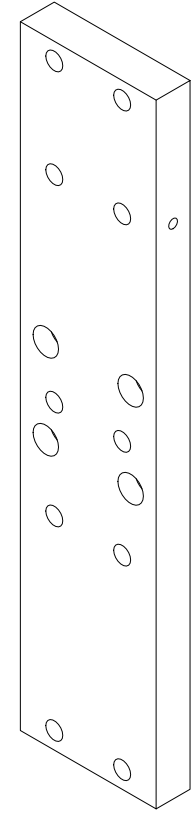
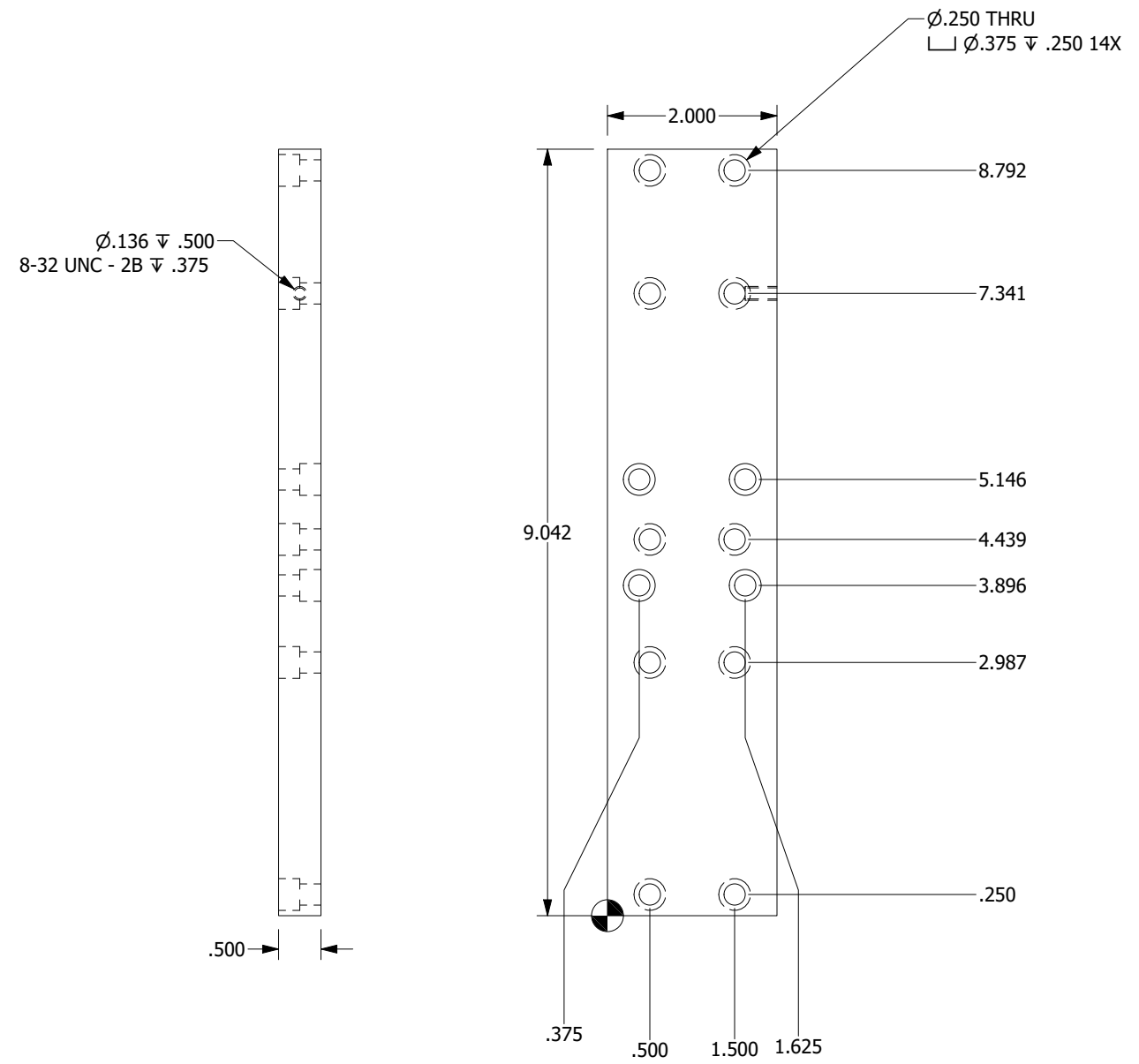
PROPRIETARY NOTE: THIS DOCUMENT CONTAINS INFORMATION WHICH IS CONFIDENTIAL AND PROPRIETARY TO MAINSTREAM ENGINEERING CORPORATION AND SHALL NOT BE USED, DUPLICATED OR DISCLOSED TO ANYONE, IN WHOLE OR IN PART, OR USED FOR ANY PURPOSE OTHER THAN WHICH IT WAS OBTAINED WITHOUT FIRST OBTAINING THE EXPRESSED WRITTEN CONSENT FROM MAINSTREAM ENGINEERING CORPORATION.

ITEM NO. 21
PART NO. 52304-1-01

SIZE	CAGE CODE	DRAWING NO.
B	0A0B7	10-52304 braze fixture
SCALE: NONE		REV SHEET 2 OF 10

DRAWING NO. 10-52304 braze fixture

MATERIAL: ALUMINUM ALLOY, 6061, FLAT BAR, 2" X .5"



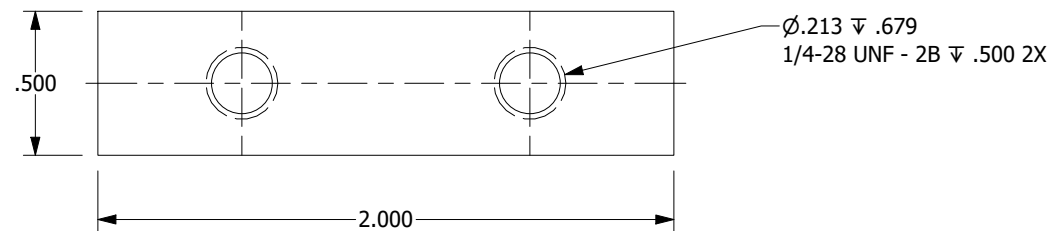
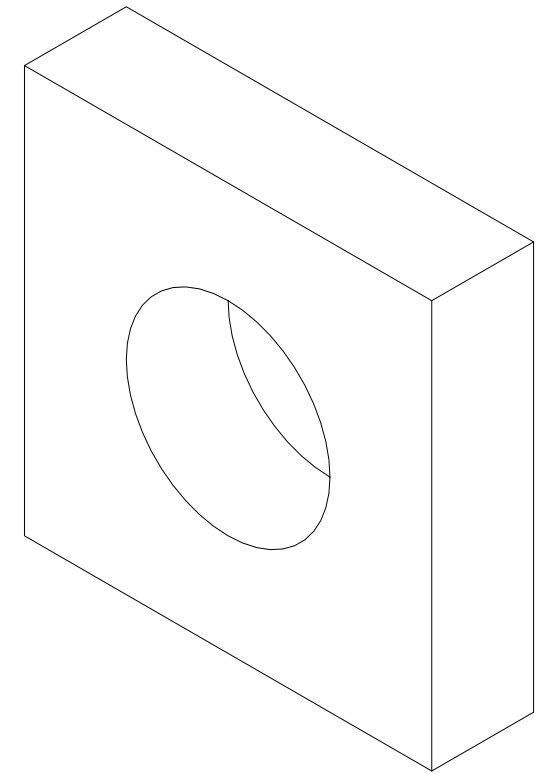
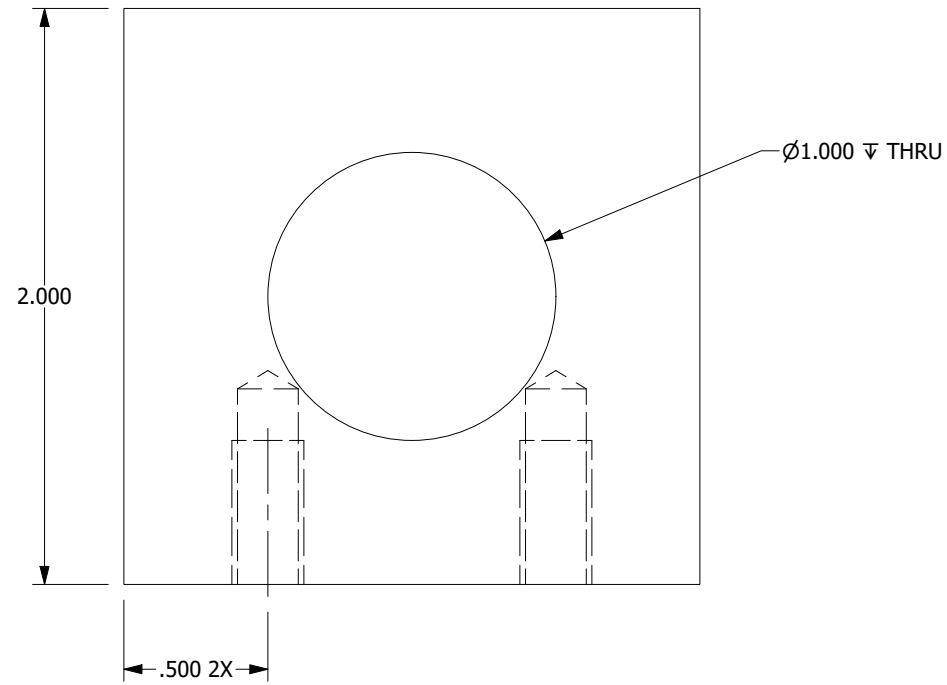
PROPRIETARY NOTE: THIS DOCUMENT CONTAINS INFORMATION WHICH IS CONFIDENTIAL AND PROPRIETARY TO MAINSTREAM ENGINEERING CORPORATION AND SHALL NOT BE USED, DUPLICATED OR DISCLOSED TO ANYONE, IN WHOLE OR IN PART, OR USED FOR ANY PURPOSE OTHER THAN WHICH IT WAS OBTAINED WITHOUT FIRST OBTAINING THE EXPRESSED WRITTEN CONSENT FROM MAINSTREAM ENGINEERING CORPORATION.

ITEM NO. 1
PART NO. 52304-1-02

SIZE	CAGE CODE	DRAWING NO.
B	0A0B7	10-52304 braze fixture
SCALE: NONE	REV	SHEET 3 OF 10

DRAWING NO. 10-52304 braze fixture

MATERIAL: ALUMINUM ALLOY, 6061, FLAT BAR, 2" X .5"



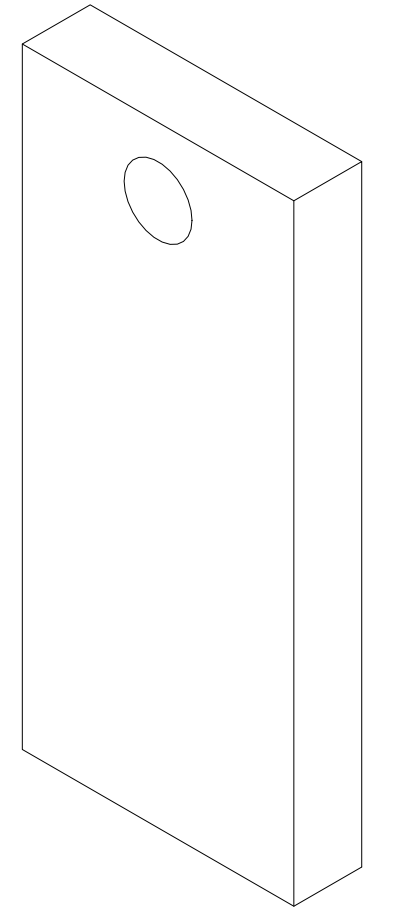
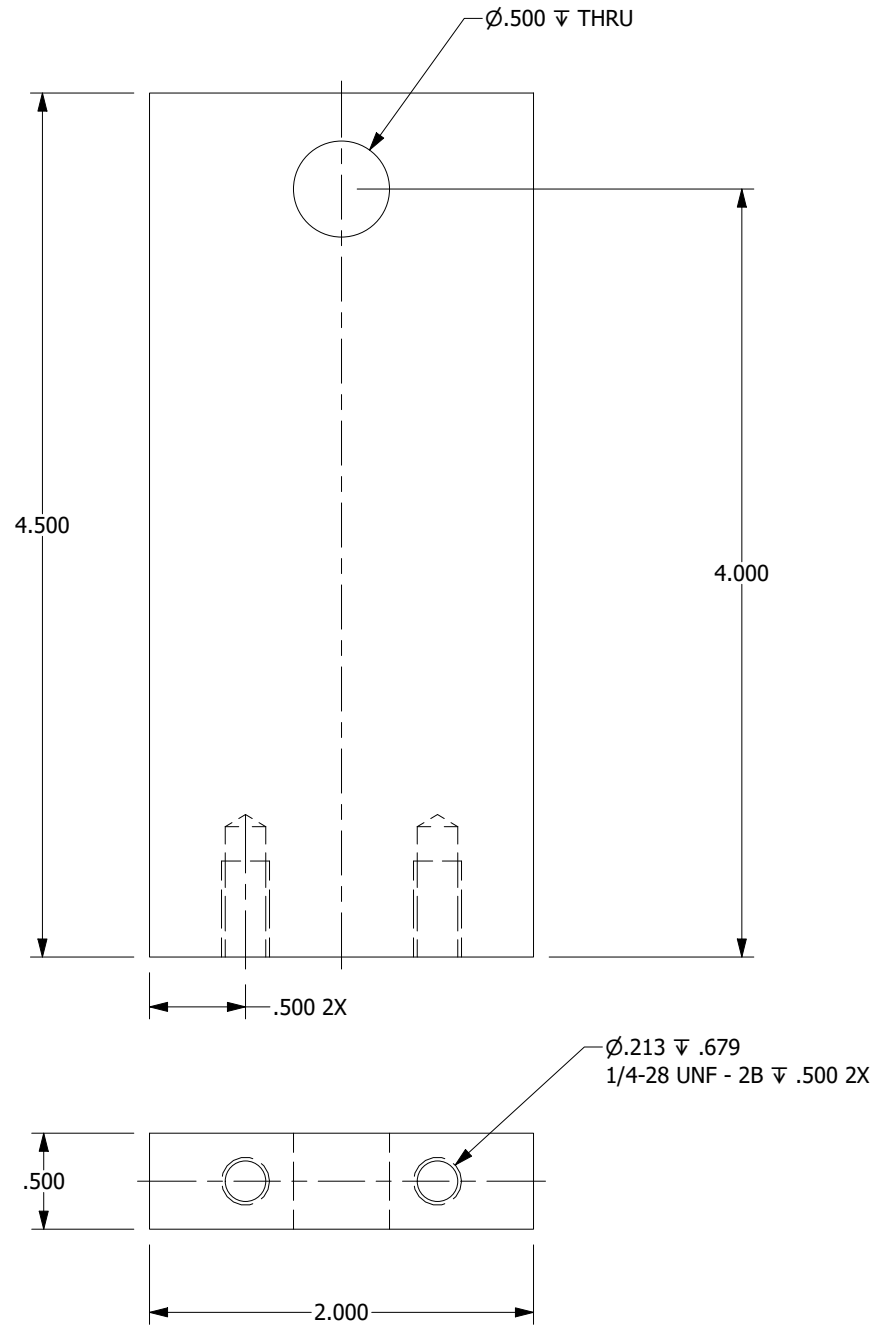
PROPRIETARY NOTE: THIS DOCUMENT CONTAINS INFORMATION WHICH IS CONFIDENTIAL AND PROPRIETARY TO MAINSTREAM ENGINEERING CORPORATION AND SHALL NOT BE USED, DUPLICATED OR DISCLOSED TO ANYONE, IN WHOLE OR IN PART, OR USED FOR ANY PURPOSE OTHER THAN WHICH IT WAS OBTAINED WITHOUT FIRST OBTAINING THE EXPRESSED WRITTEN CONSENT FROM MAINSTREAM ENGINEERING CORPORATION.

ITEM NO. 11
PART NO. 52304-1-03

SIZE	CAGE CODE	DRAWING NO.
B	0A0B7	10-52304 braze fixture
SCALE: NONE		REV SHEET 4 OF 10

DWG NO. 10-52304 braze fixture

MATERIAL: ALUMINUM ALLOY, 6061, FLAT BAR, 2" X .5"



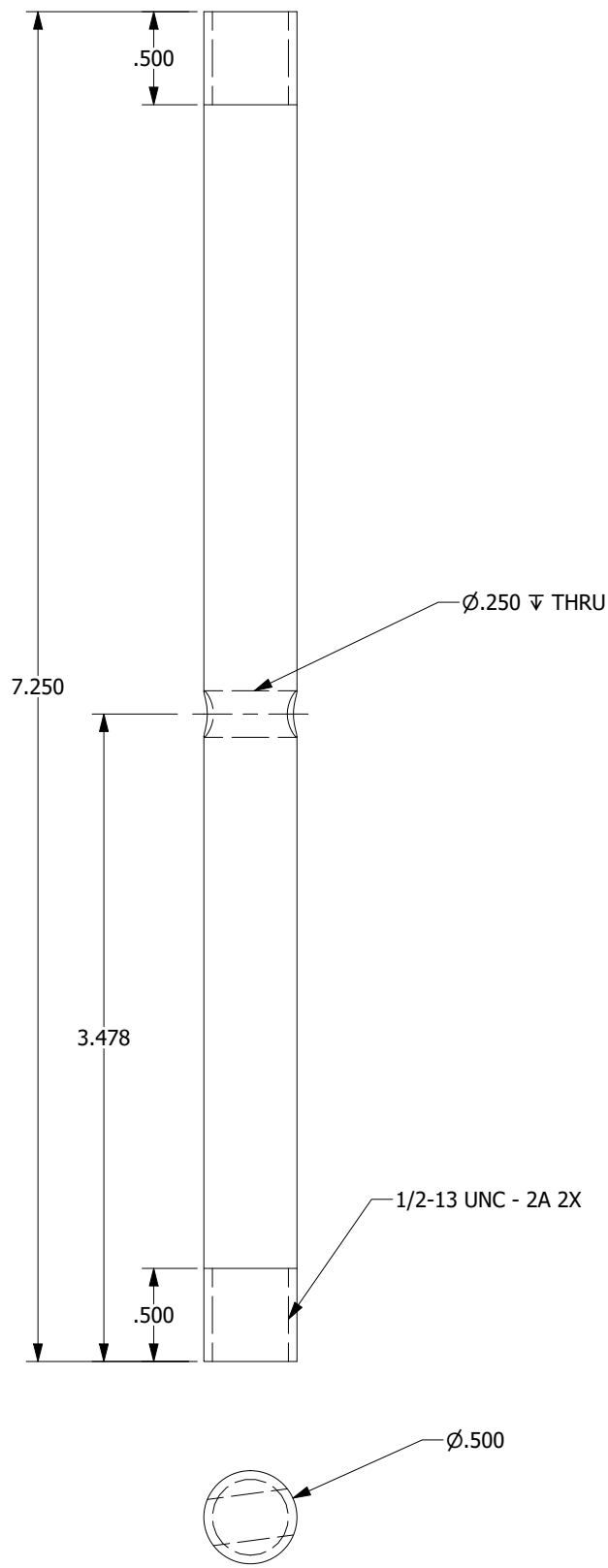
PROPRIETARY NOTE: THIS DOCUMENT CONTAINS INFORMATION WHICH IS CONFIDENTIAL AND PROPRIETARY TO MAINSTREAM ENGINEERING CORPORATION AND SHALL NOT BE USED, DUPLICATED OR DISCLOSED TO ANYONE, IN WHOLE OR IN PART, OR USED FOR ANY PURPOSE OTHER THAN WHICH IT WAS OBTAINED WITHOUT FIRST OBTAINING THE EXPRESSED WRITTEN CONSENT FROM MAINSTREAM ENGINEERING CORPORATION.

ITEM NO. 10
PART NO. 52304-1-04

SIZE	CAGE CODE	DRAWING NO.
B	0A0B7	10-52304 braze fixture
SCALE: NONE	REV	SHEET 5 OF 10

DWG NO. 10-52304 braze fixture

MATERIAL: ALUMINUM ALLOY, 6061, FLAT BAR, .5" Diameter



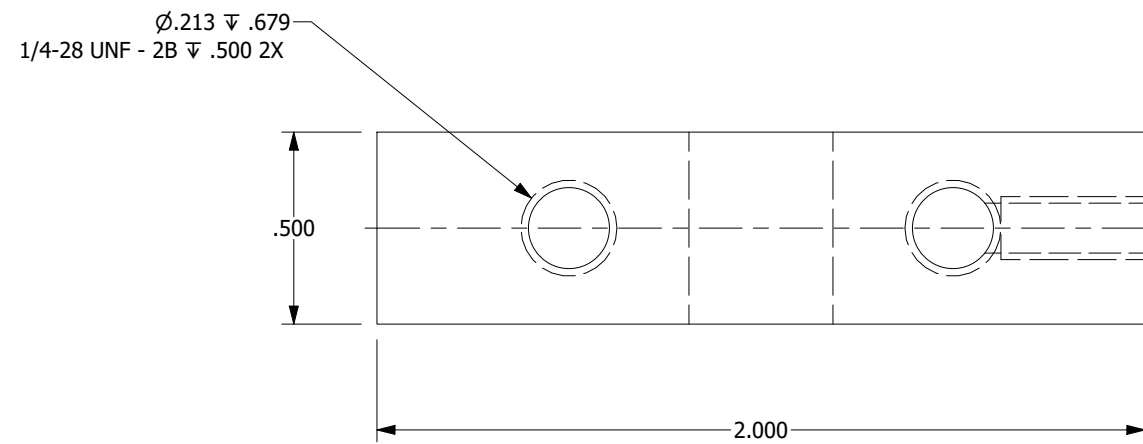
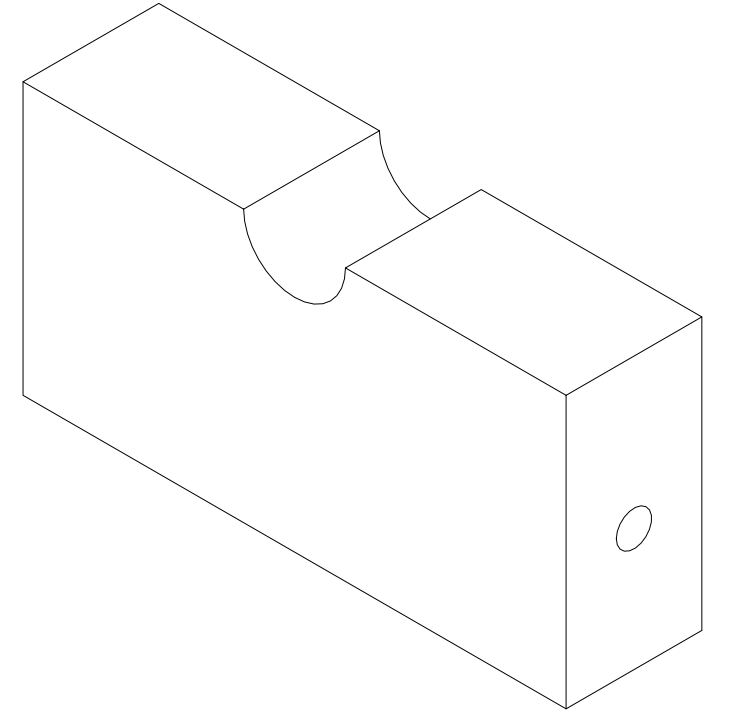
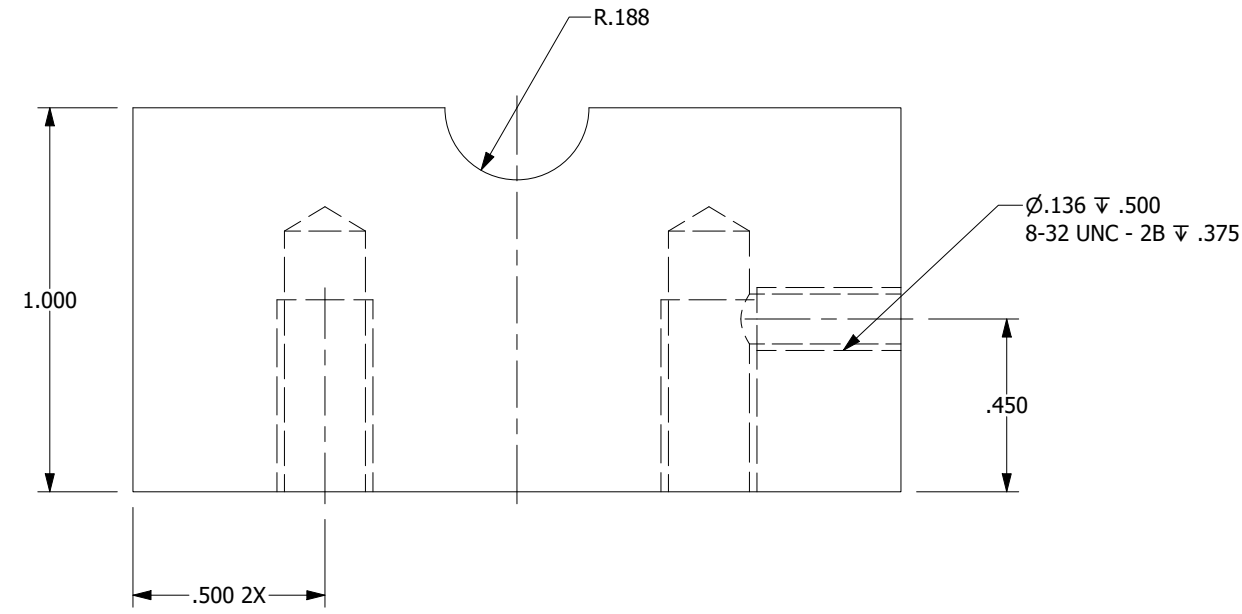
PROPRIETARY NOTE: THIS DOCUMENT CONTAINS INFORMATION WHICH IS CONFIDENTIAL AND PROPRIETARY TO MAINSTREAM ENGINEERING CORPORATION AND SHALL NOT BE USED, DUPLICATED OR DISCLOSED TO ANYONE, IN WHOLE OR IN PART, OR USED FOR ANY PURPOSE OTHER THAN WHICH IT WAS OBTAINED WITHOUT FIRST OBTAINING THE EXPRESSED WRITTEN CONSENT FROM MAINSTREAM ENGINEERING CORPORATION.

ITEM NO. 5
PART NO. 52304-1-05

SIZE	CAGE CODE	DRAWING NO.
B	0A0B7	10-52304 braze fixture
SCALE: NONE		REV SHEET 6 OF 10

DWG NO. 10-52304 braze fixture

MATERIAL: ALUMINUM ALLOY, 6061, FLAT BAR, 2" X .5"



DRAWING NO. 10-52304 braze fixture

PROPRIETARY NOTE: THIS DOCUMENT CONTAINS INFORMATION WHICH IS CONFIDENTIAL AND PROPRIETARY TO MAINSTREAM ENGINEERING CORPORATION AND SHALL NOT BE USED, DUPLICATED OR DISCLOSED TO ANYONE, IN WHOLE OR IN PART, OR USED FOR ANY PURPOSE OTHER THAN WHICH IT WAS OBTAINED WITHOUT FIRST OBTAINING THE EXPRESSED WRITTEN CONSENT FROM MAINSTREAM ENGINEERING CORPORATION.

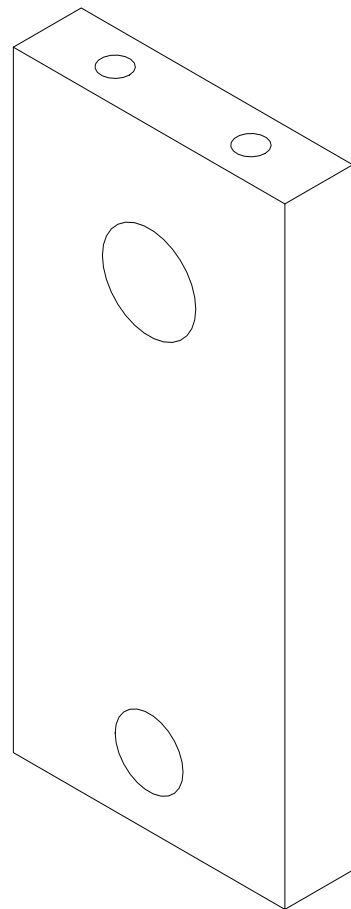
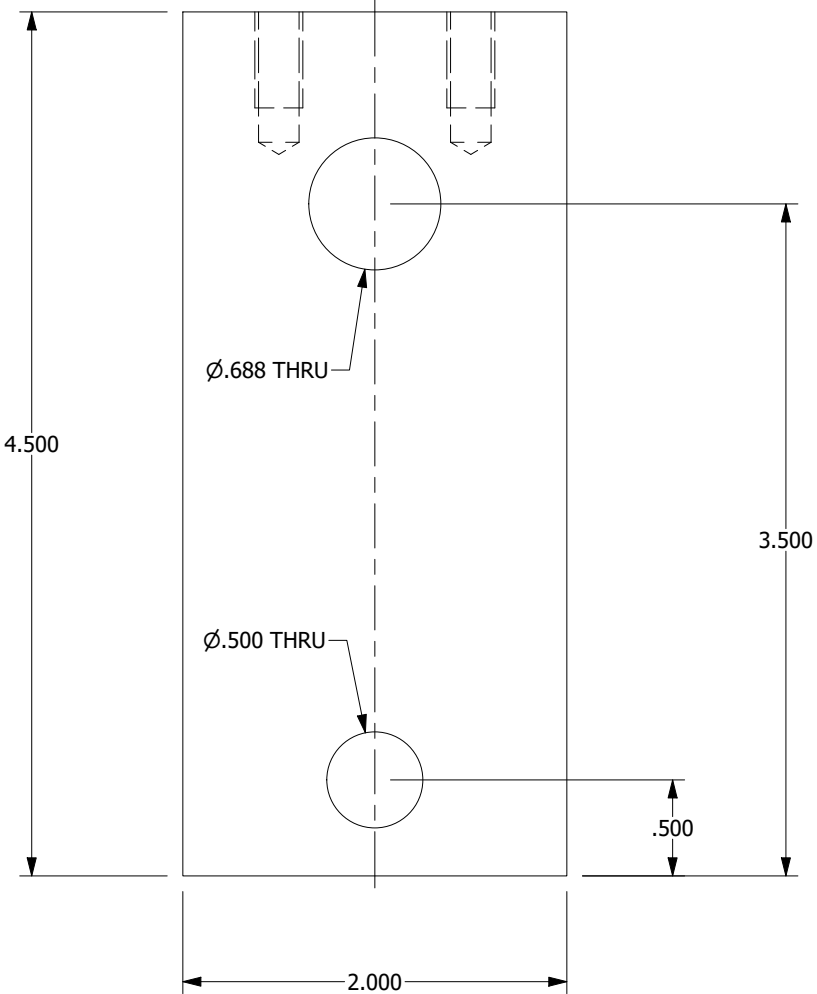
ITEM NO. 3
PART NO. 52304-1-06

SIZE	CAGE CODE	DRAWING NO.
B	0A0B7	10-52304 braze fixture
SCALE: NONE		REV SHEET 7 OF 10

MATERIAL: ALUMINUM ALLOY, 6061, FLAT BAR, 2" X .5"

Ø.213 ± .005
1/4-28 UNF - 2B ± .005 2X

.500 2X



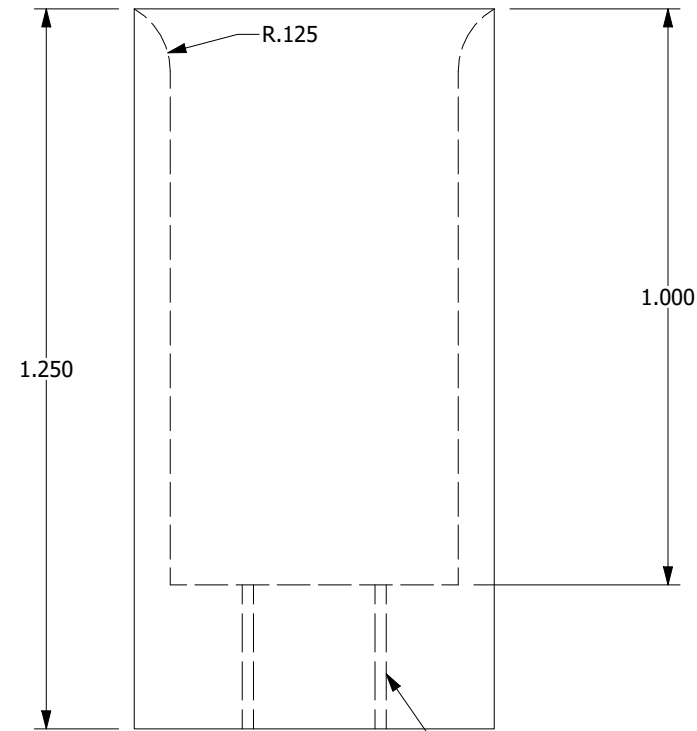
PROPRIETARY NOTE: THIS DOCUMENT CONTAINS INFORMATION WHICH IS CONFIDENTIAL AND PROPRIETARY TO MAINSTREAM ENGINEERING CORPORATION AND SHALL NOT BE USED, DUPLICATED OR DISCLOSED TO ANYONE, IN WHOLE OR IN PART, OR USED FOR ANY PURPOSE OTHER THAN WHICH IT WAS OBTAINED WITHOUT FIRST OBTAINING THE EXPRESSED WRITTEN CONSENT FROM MAINSTREAM ENGINEERING CORPORATION.

ITEM NO. 2
PART NO. 52304-1-07

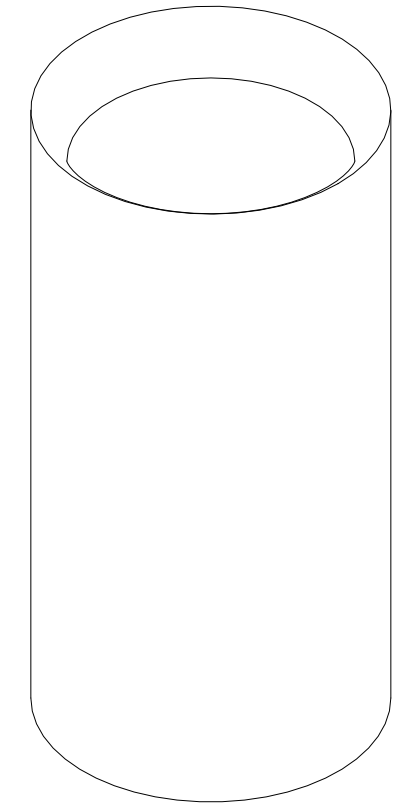
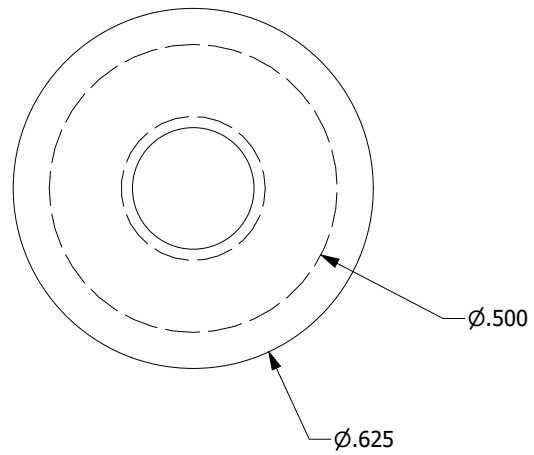
SIZE	CAGE CODE	DRAWING NO.
B	0A0B7	10-52304 braze fixture
SCALE: NONE	REV	SHEET 8 OF 10

DRAWING NO. 10-52304 braze fixture

MATERIAL: ALUMINUM ALLOY, 6061, FLAT BAR, .625" BAR



Ø.213 ∇ THRU
1/4-28 UNF - 2B ∇ THRU



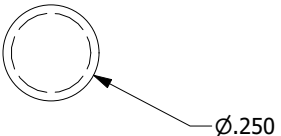
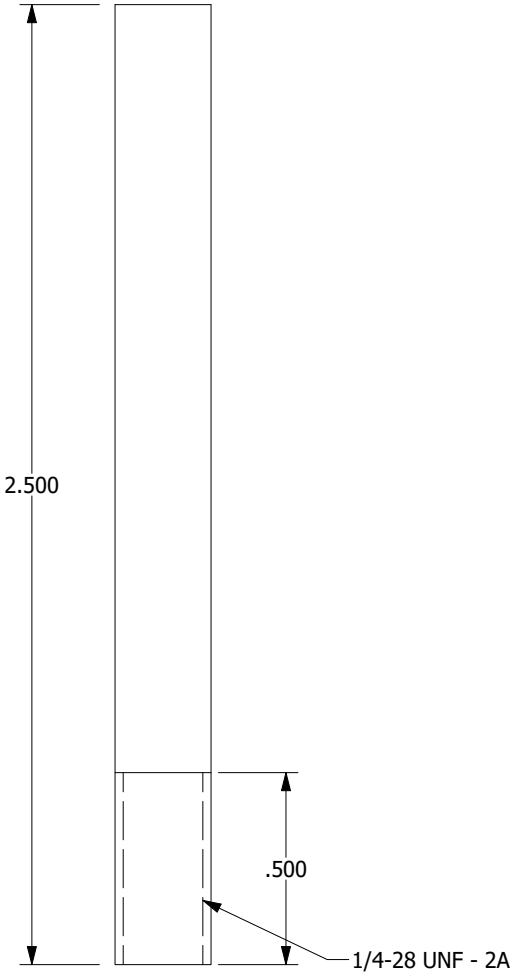
PROPRIETARY NOTE: THIS DOCUMENT CONTAINS INFORMATION WHICH IS CONFIDENTIAL AND PROPRIETARY TO MAINSTREAM ENGINEERING CORPORATION AND SHALL NOT BE USED, DUPLICATED OR DISCLOSED TO ANYONE, IN WHOLE OR IN PART, OR USED FOR ANY PURPOSE OTHER THAN WHICH IT WAS OBTAINED WITHOUT FIRST OBTAINING THE EXPRESSED WRITTEN CONSENT FROM MAINSTREAM ENGINEERING CORPORATION.

ITEM NO. 6
PART NO. 52304-1-08

SIZE	CAGE CODE	DRAWING NO.
B	0A0B7	10-52304 braze fixture
SCALE: NONE		REV SHEET 9 OF 10

DWG NO. 10-52304 braze fixture

MATERIAL: ALUMINUM ALLOY, 6061, FLAT BAR, .25" BAR



DWG NO. 10-52304 braze fixture

PROPRIETARY NOTE: THIS DOCUMENT CONTAINS INFORMATION WHICH IS CONFIDENTIAL AND PROPRIETARY TO MAINSTREAM ENGINEERING CORPORATION AND SHALL NOT BE USED, DUPLICATED OR DISCLOSED TO ANYONE, IN WHOLE OR IN PART, OR USED FOR ANY PURPOSE OTHER THAN WHICH IT WAS OBTAINED WITHOUT FIRST OBTAINING THE EXPRESSED WRITTEN CONSENT FROM MAINSTREAM ENGINEERING CORPORATION.

ITEM NO. 7
PART NO. 52304-1-09

SIZE	CAGE CODE	DRAWING NO.
B	0A0B7	10-52304 braze fixture
SCALE: NONE		REV SHEET 10 OF 10